

0-300 LOUVER WITH CLAMPS

ASSEMBLY INSTRUCTIONS

INDEX

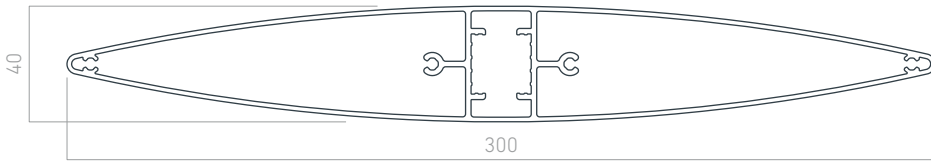
01 COMPONENTS OF THE O-300 LOUVER WITH CLAMPS	04
02 ASSEMBLY OF THE O-300 LOUVER WITH CLAMPS	05
2.1 TAKING MEASUREMENTS	05
2.2 PROFILE CUTTING	05
2.3 END CAP FASTENING	05
2.4 LAYOUT AND INSTALLATION OF THE CLAMPS	05
2.5 SUPPORT INSTALLATION	05
2.6 SLAT INSTALLATION	06
03 MAINTENANCE OF O-300 LOUVER WITH CLAMPS	07
3.1 FREQUENCY	07
3.2 CLEANING	07
3.3 ANCHORING SCREWS	07
3.4 ANCHORING ELEMENTS	07
ANNEX I DISASSEMBLY AND DISPOSAL OF PACKAGING AND END-OF-LIFE PRODUCT COMPONENTS	08

IMPORTANT

It is important for the safety of persons and the integrity of the product to read these instructions carefully before installing, operating, repairing or using the louver for the first time. This document is an integral part of the fixed louver model which gives it its title and is addressed to the installer. It contains specific information regarding its exploded view and a complete guide to the sequence of operations for its assembly and installation.

It also contains information on general instructions for the use, handling, installation, maintenance and disposal of the louver. This document is a complete instruction manual and an essential tool for the proper operation of your louver throughout its entire life cycle: installation, use, maintenance and disposal at the end of its service life. The information they contain is an essential part of the product.

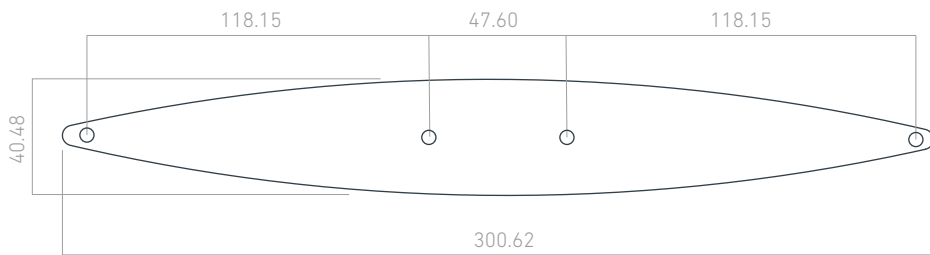
01 COMPONENTS OF THE O-300 LOUVER WITH CLAMPS



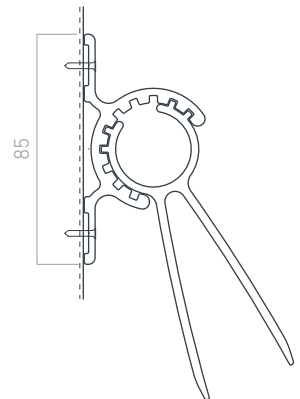
051296
O-300 N-2018 Aluminium Slat



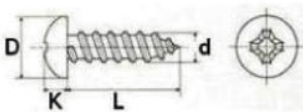
051167
100x50 mm Aluminium tube



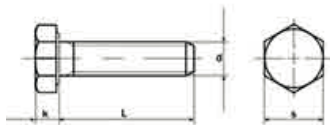
051133
Set of Aluminium end caps with blind system screws



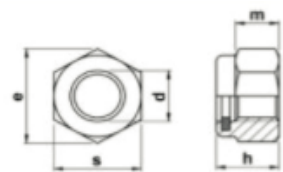
051039
Adjustable clamp support



HE1116
5.5x25mm A2 Stainless steel sheet metal threaded screw



HE1117
M5x40 mm A2 Stainless steel screw



HE1118
Self-locking nut. M5 A2
Stainless steel.

02 ASSEMBLY OF THE O-300 LOUVER WITH CLAMPS

2.1 TAKING MEASUREMENT

We will take measurements of the façade and proceed to stake out the uprights that are going to be made with the 100x50 mm aluminium tube, without exceeding the maximum test separation between them.

2.2 PROFILE CUTTING

Con las medidas tomadas, cortaremos los perfiles que conformarán los montantes, así como las lamas O-300 según la longitud proyectada.

2.3 END CAP SETTING

With the 4.2x13 stainless steel fixing screws, we will fix the end pieces to the slats, first on one side and then we will fix the other end cap.

2.4 LAYOUT AND INSTALLATION OF THE CLAMPS

On the profiles already cut from 100x50 aluminium tube, the clamps will be laid out and screwed with four screws:

HE1116 - 5.5x25mm A2 STAINLESS STEEL SHEET METAL THREADED SCREW.

2.5 SUPPORT INSTALLATION

The supports with the clamps will be installed on the façade of the building using relevant anchoring to the building site.

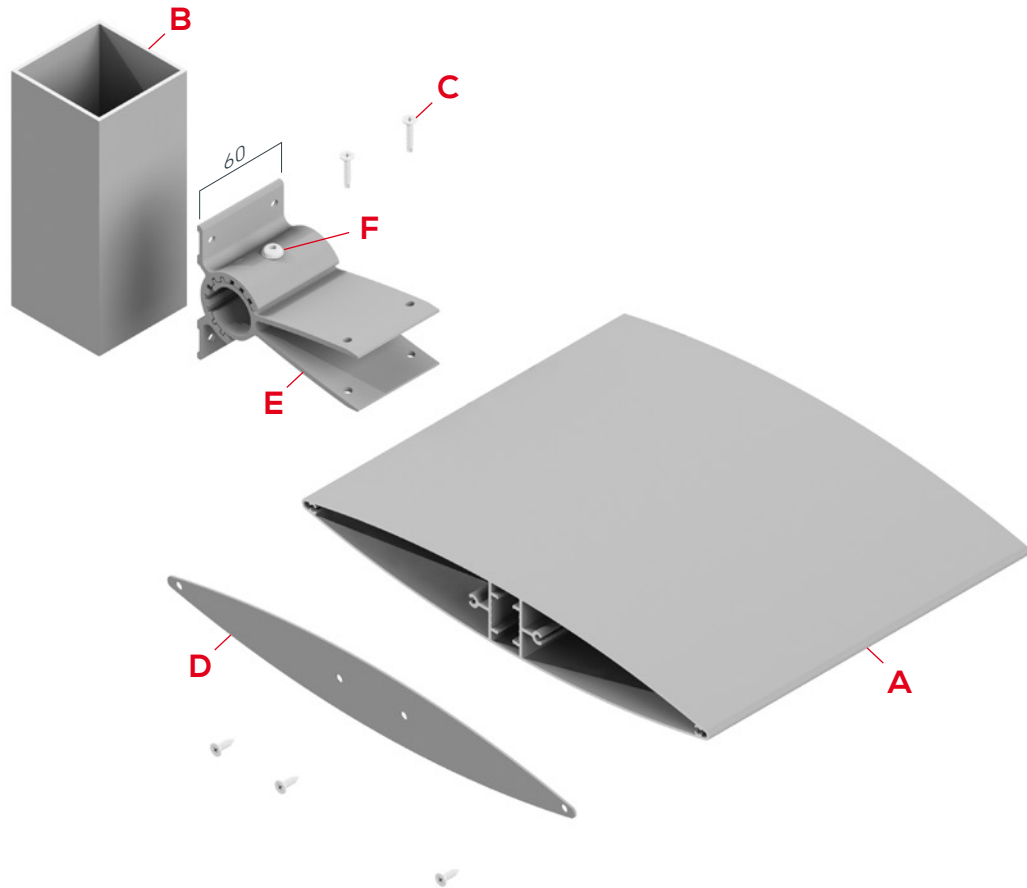
2.6 ADJUSTMENT OF THE SLATS

The cut slats, with the end cap sets installed on the clamps, are inserted into the clamps, two holes per clamp are drilled in the slats and the screws are inserted:

HE1117 - M5X40 A2 STAINLESS STEEL SCREW with HE1118 M5 A2 STAINLESS STEEL SELF-LOCKING NUT

SEE NEXT PAGE.

EXPLODED COMPONENTS:



COMPONENTS

- A** Slat O- 300
051296
- B** 100x 50 mm Aluminium tube
051167
- C** DIN 7504 -NH A2 4.8x16 mm Screw
051168
- D** Blind aluminium end plate set O-300 with screws
051133
- E** Orientable clamp O-300
051039
- F** Screw USL ISO 7380 A2 M6x16 mm
051103

03 MAINTENANCE INSTRUCTIONS FOR THE O-300 LOUVER WITH CLAMPS

3.1 FREQUENCY

For a proper use and greater durability of the louver, periodic inspections and maintenance are recommended at a minimum frequency of once a year. This frequency should be increased depending on the wind fatigue produced in the place of installation and in those louvers that are exposed to aggressive environments (marine, industrial and presence of dust in suspension, etc.).

3.2 CLEANING

Periodic maintenance will consist of cleaning the lacquered aluminium slats and profiles with neutral soap and then rinsing with water to prevent the formation of salts on the surface of the slats, thus avoiding possible corrosion. If the louver is sealed with elastic materials, they must be checked, verifying the state of the sealing material, eliminating sections that are in poor condition, cleaning the surface, drying and subsequent replacement.

3.3 ANCHORING SCREWS

The condition of the anchoring screws and the components of the louver assembly must be checked. During the check, the tightness of the screws will be checked and any screws that show corrosion or are in poor condition will be replaced

3.4 ANCHORING ELEMENTS

The state of the end caps and their components must be checked and cleaned in case of possible obstructions, removing any dirt and impurities that may be present.

ANNEX I DISASSEMBLY AND DISPOSAL OF PACKAGING AND PRODUCT COMPONENTS AT THE END OF THEIR USEFUL LIFE

PACKAGING DISPOSAL

IMPORTANT

The recycling of the packaging must be carried out by the authorised professional who installed the product.

We advise you to recycle the product packaging responsibly:

- Please dispose of this waste in accordance with the current regulations:

Directive 94/62/CE, on packaging and packaging waste. Spanish Law 11/1997, of April 24th on packaging and packaging waste.

- Please sort the waste by separating each and every one of the various materials, to facilitate effective disposal of the packaging.
- Do not dispose of packaging materials together with other types of waste. Take them to a packaging materials collection point designated by the local authorities.
- In order to minimize the environmental impact of packaging and packaging waste, it is necessary to define the composition and nature of the packaging of our products to recommend their best disposal:

OUR COMMITMENT TO THE ENVIRONMENT

One of Giménez Ganga's objectives is to maintain socially responsible behaviour. This commitment to the environment implies continuous improvements in the measures that are adopted to combat climate change.

Promoting responsible care of the environment, complying with the legal and regulatory requirements applicable to our products and promoting energy saving in all our projects are measures that are essential for us to achieve our objectives.

Paper and cardboard: In waste management, the recycling of paper and cardboard plays an important role, because up to 70% can be reclaimed. The disposal of paper and cardboard can be done through various channels such as collection by private operators or delivery to waste treatment plants.

Plastic: The recycling of plastics has many advantages for the environment and therefore benefits in the quality of life of everyone, contributing to a greater saving of raw materials as well as natural, energy producing and economic resources. The disposal of plastic can be done by private operators or delivered to waste treatment plants.

Film alveolar: This is made of low density polyethylene, which makes it 100% recyclable. For optimal disposal, please deliver any waste comprising this material to plastic waste treatment plants.

DISASSEMBLY AND DISPOSAL OF THE PRODUCT

When disassembling this product, a number of precautionary measures must be taken. Observe the following warnings and instructions. Please contact your supplier with any queries.

Disassembly may only be carried out by experienced fitters. This manual is not intended for DIY enthusiasts or installers in training.

For more information on these disassembly instructions, please refer to the chapters regarding installation in this manual that contain diagrams and detailed information.

Our products are mainly made of recyclable materials. It is advisable to be informed about the recycling or disposal systems provided for in the current regulations in your country for this product category.

IMPORTANT

- Always operate with great caution. Use the appropriate tools and ensure that they are not damaged.
- Be sure to remove all parts that form the product, taking into account the nature of its materials.



This symbol means that the product must not be disposed of together with household waste, as it must be collected separately for recovery, reuse or recycling in accordance with local regulations.



In compliance with the European Directive 2012/19/EU, waste electrical and electronic equipment (WEEE) can become a serious environmental problem if not properly managed. The Directive provides the general framework valid throughout the European Union for the removal and re-use of waste electrical and electronic equipment.

At the end of the service life of the electrical or electronic equipment, it must not be thrown away together with other types of waste. They can be delivered to the specific centres regulated for this purpose by the local authorities.

The effective separation of waste will avoid negative consequences for the environment and health that could result from poor waste management or inadequate waste disposal.

IMPORTANT

By respecting this directive, you will be acting in favour of the environment and contributing to the conservation of natural resources and the protection of health.

Local regulations may impose significant penalties for illegal disposal of the product.

THE MATERIALS THAT OUR PRODUCTS ARE MADE OF OFFER A GREAT VARIETY OF ENVIRONMENTAL ADVANTAGES



GALVANISED STEEL

Galvanised steel is a type of processed steel which at the end of processing is covered with several layers of zinc that protect it from rusting. Zinc recycling helps to reduce the demand for new materials and as a consequence generates great energy savings, being a metal that constitutes a very valuable and sustainable resource.

For the correct recycling of galvanised steel, it is recommended to go to a metal waste collection centre.



STAINLESS STEEL

Stainless steel is an iron alloy containing nickel and chromium to protect against corrosion and rust. Its qualities include resistance to high temperatures and the fact that it is a particularly strong material. Stainless steel is the infinitely recyclable "green material". Its properties make it ideal for exposure to the elements.

Therefore, for the proper disposal of stainless steel, it is recommended to deposit this material in a specialised waste collection centre.



ALUMINIUM

The recycling of aluminium guarantees a number of environmental advantages. The use of recycled aluminium means a saving of 95% of the energy used from the production of the primary ore. It can be recycled as many times as desired and can be fully recovered. Therefore, the recycling of aluminium is profitable both from a technical and an economic point of view.

For this reason, it is advisable to deposit this material in a specialised waste collection centre for proper disposal of the aluminium.



WIRING

By recycling electrical cables, pollution from these elements is avoided. Recycling offers continue use of copper, aluminium and brass from the cables once they have been separated from the plastic that covers them.

Electrical and electronic waste should be taken to dedicate points for proper recycling.

**PET****HDPE****PVC****LDPE****PP****PS****OTHER****PLASTIC**

Plastic recycling provides a sustainable source of raw material for the industry. Its reuse also significantly reduces environmental damage, since it is a non-biodegradable material.

Recycling decreases energy consumption and reduces CO₂ emissions by mitigating pollution and climate change.

There are several types of plastic, so to achieve optimal recycling is essential to deposit them at a clean point where the separation of different types of plastic and their identification take place.

**TEXTILE**

The use of textile waste is indispensable when we talk about recycling. Reuse helps to reduce water consumption and the gases released in the manufacturing process.

In order to promote the proper disposal of the textiles, it is recommended that they be deposited in a specialised waste centre where the different textile fibres will be separated.

IMPORTANT

Act as per the recommendations for effective product recycling. Remember that recycling is more than an action, it is the value of responsibility for preserving natural resources.

